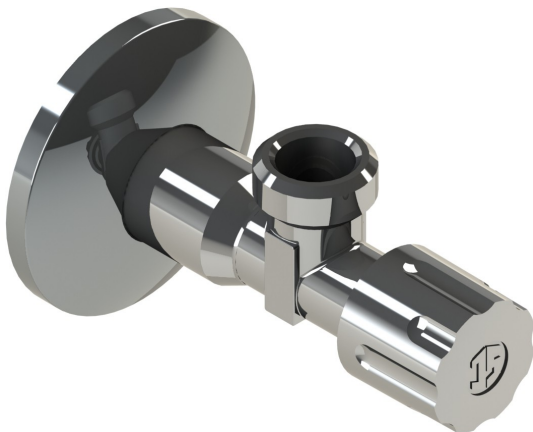


Technical Data Sheet

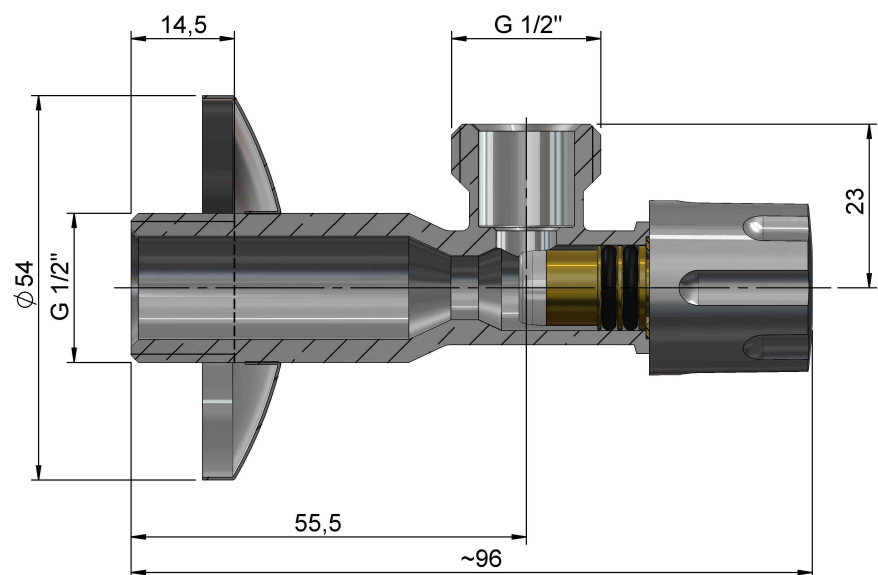
Description: Angle-valves, without self-sealing connection thread, brass chrome-plated, with extension and push-rosette, 1/2" x 1/2"

Ref. No.: 00 7111 1550 001



Technical Data

Mediums:	to be used for potable water and other neutral liquids	
Temperature:	min. 5°C / max. 90°C	
Operating pressure:	max. 10 bar (PN 10)	
Thread:	ISO 228 part 1 (G-thread)	
Surface:	chrome-plated	
Materials:	housing:	brass
	housing cover:	brass
	conical seal:	POM
	housing cover seal:	EPDM



Stand: February 2016
Subject to technical change